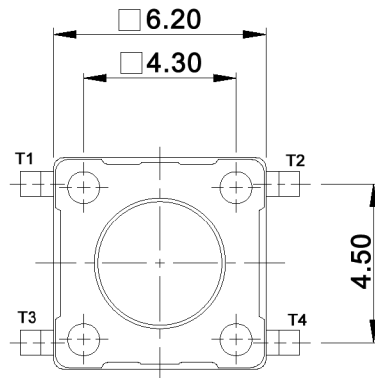
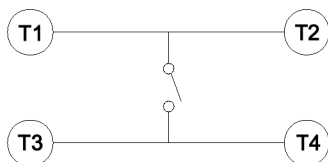


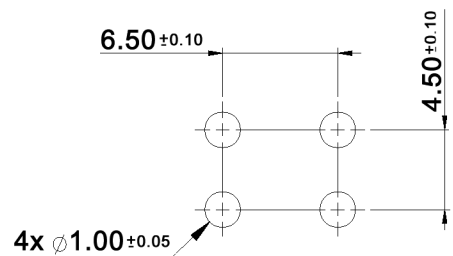
x	Height (mm)
1	4.30
2	5.00
3	7.00
5	9.50
6	13.00
7	11.00
8	11.30
9	19.50



CIRCUIT DIAGRAM



P.C.B. LAYOUT



Compliance: RohS III (2015/863/EU)

Tolerances: ±0.20mm		Date	Name	TS 6x y.
		04/10	dr	
Table "y"	07/20	dr		30 20 64
Revised	05/16	dr		
Rename	08/15	dr		
Height	10/14	dr		
Modifications	Date	Name		knitter-switch
				Page
				1/2

Specifications:

Contact rating: 50mA, 12V DC
 Contact resistance: 100mOhm max.
 Insulation resistance: 100MOhm min. at 500V DC for 1 minute
 Dielectric strength: 250V AC (50/60Hz) for 1 minute
 Operating temperature: -40°C to +85°C
 Storage temperature: -40°C to +85°C
 Soldering conditions: pre-heat: max. 100°C, max. 60sec.
 wave soldering: max. 265°C, max. 5sec.
 Travel: 0.25 +0.2/-0.1mm
 Material: Cover: stainless steel
 Stem / base: high-temp. thermoplastic nylon UL94V-0
 Contact: phosphor bronze, silver plated over nickel
 Terminal: brass, silver plated over nickel

y	Stem color	Operating force (gf)	Electrical life (cycles)
(*) K	black	100 +/-50	200 000
	brown	160 +/-50	200 000
	red	260 +/-50	100 000
(*) S	salmon	320 +/-80	50 000
(*) Y	yellow	520 /-130	50 000

(*) not for TS 67

Compliance: RohS III (2015/863/EU)

Tolerances: ±0.20mm			Date	Name	TS 6x y.
			04/10	dr	
Table "y"	07/20	dr			30 20 64
Revised	05/16	dr	knitter-switch		
Rename	08/15	dr			
Height	10/14	dr			
Modifications	Date	Name			Page 2/2